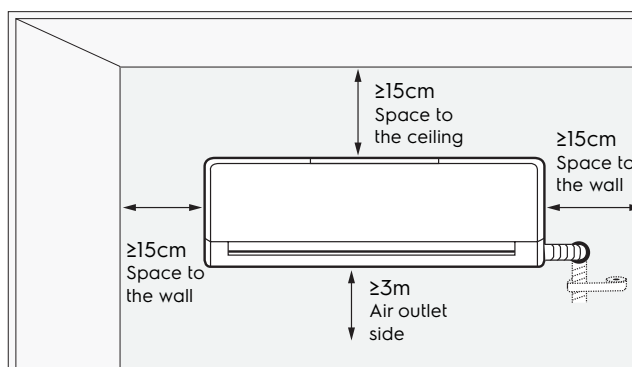
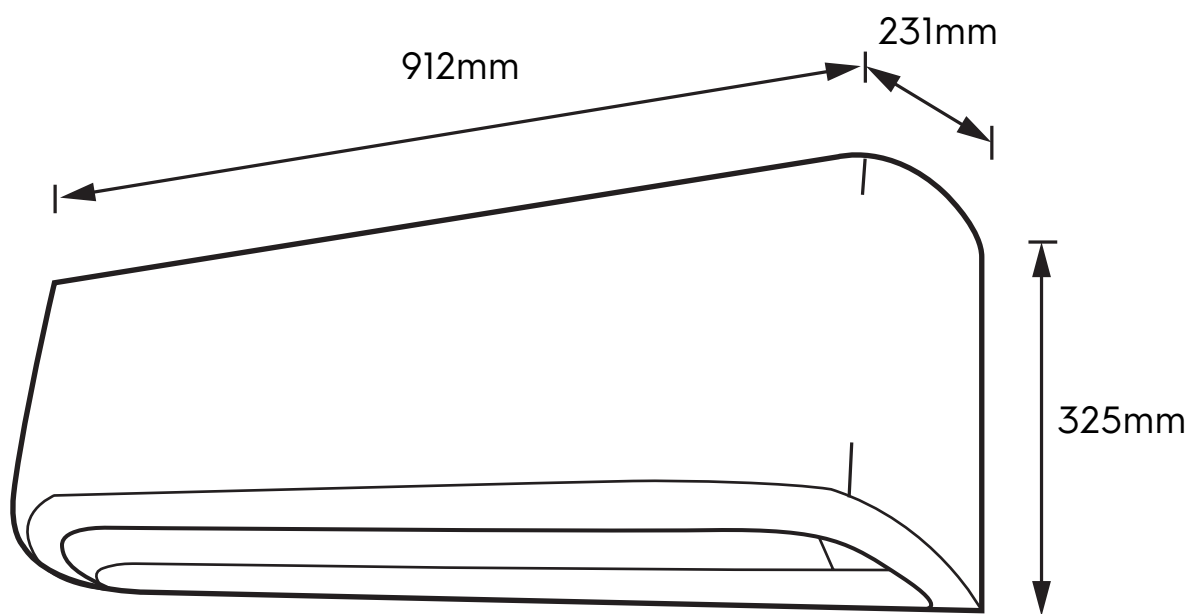


Dimension Guide

Air conditioner

Model:
ESV125C2WA

Dimensions			
	width	height	depth
Product (mm)	912	325	231



Please note! Dimensions to be used as a guide only. All customers MUST refer to the user manual supplied with the product for detailed installation instructions.

© 2022 Electrolux S.E.A PTE. LTD. E_DIM_ESV125C2WA_Oct22