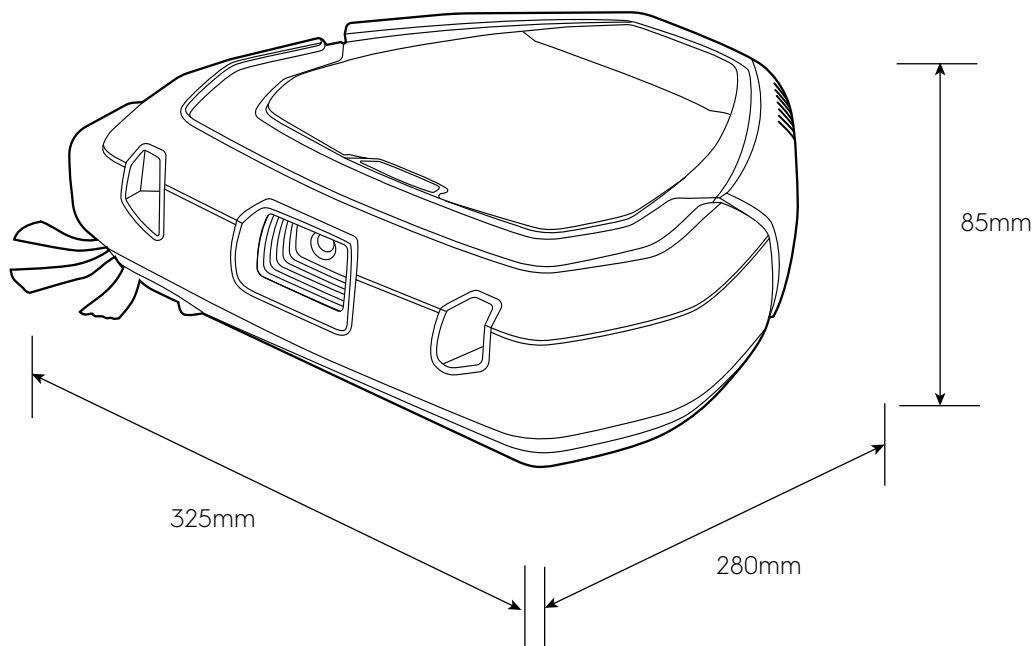


# Dimension Guide

## Robot vacuum cleaner

**Model:**  
PI92-6STN

Dimensions			
	width	height	depth
Product (mm)	325	85	280



**Please note!** Dimensions to be used as a guide only. All customers MUST refer to the user manual supplied with the product for detailed installation instructions.

© 2021 Electrolux S.E.A PTE. LTD. E\_DIM\_PI92-6STN\_Jun21