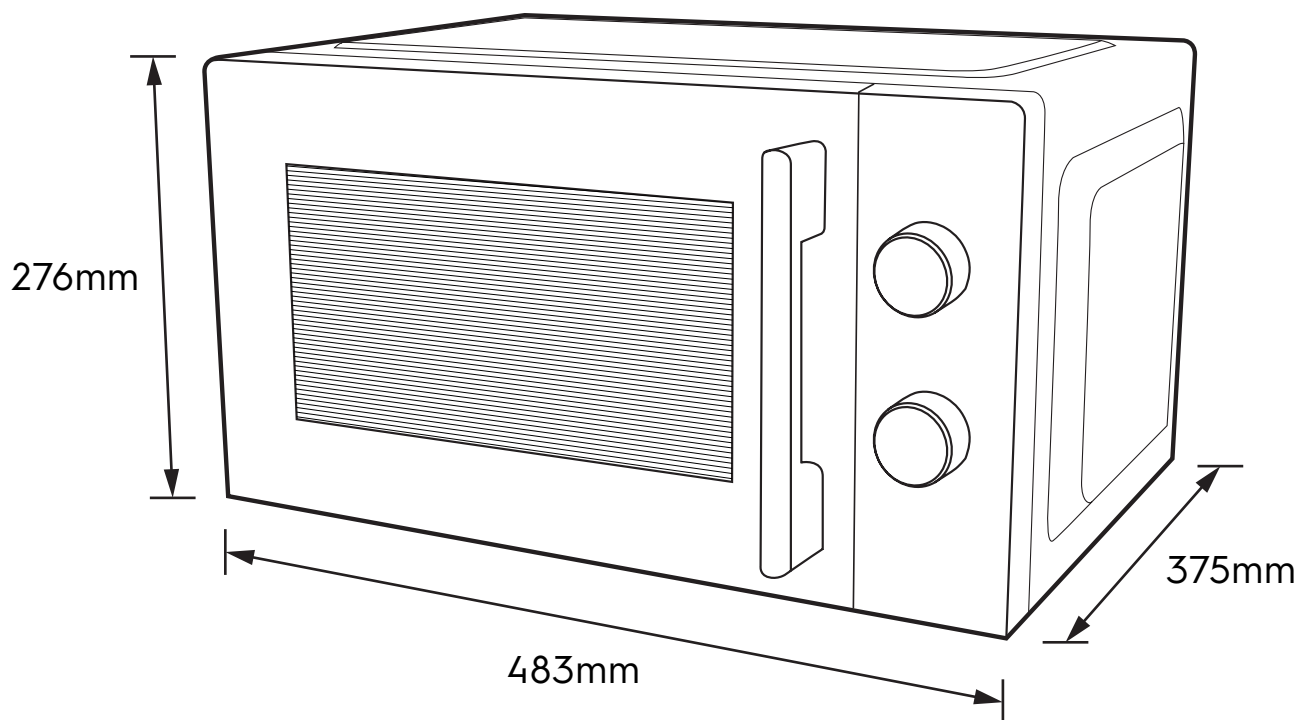


# Dimension Guide

## Freestanding Microwave

**Model:**  
EMM23K22B\_TH

Dimensions			
	width	height	depth
Product (mm)	483	276	375



**Please note!** Dimensions to be used as a guide only. All customers MUST refer to the user manual supplied with the product for detailed installation instructions.

© 2021 Electrolux S.E.A PTE. LTD. E\_DIM\_ EMM23K22B\_TH\_Oct21