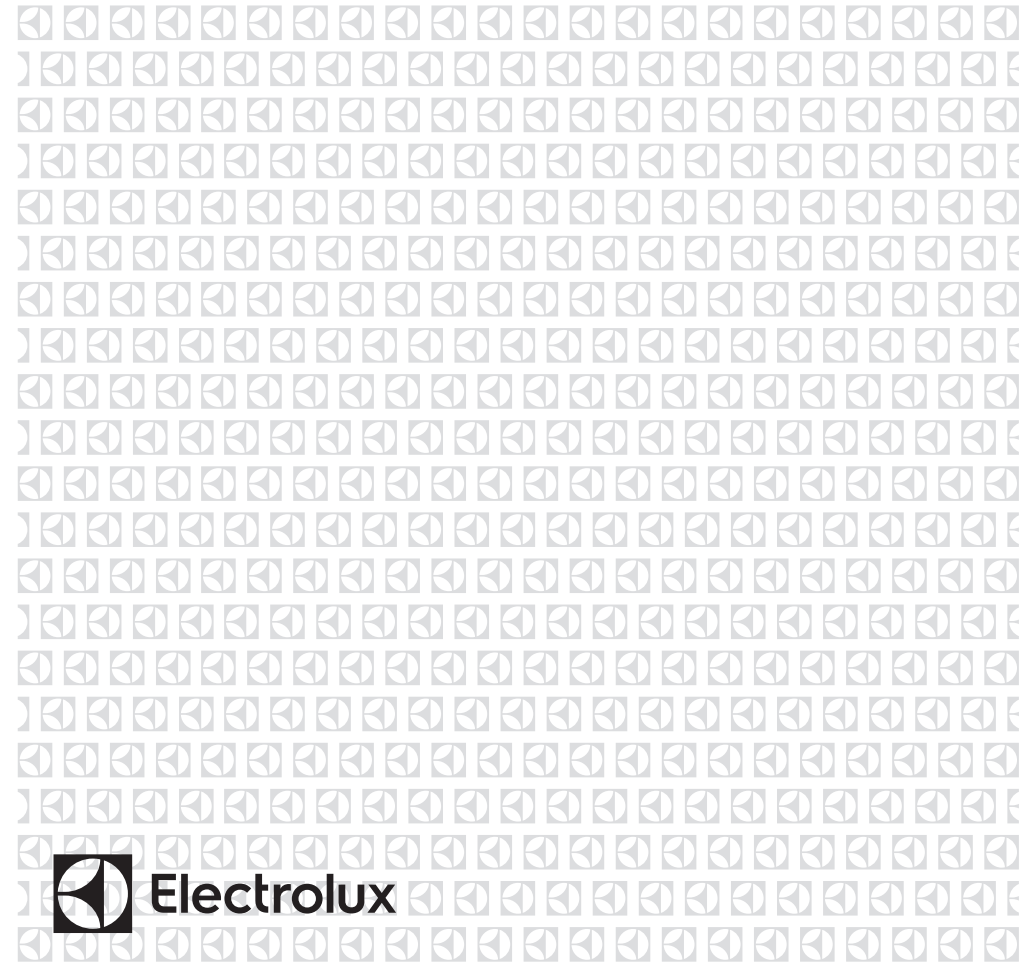
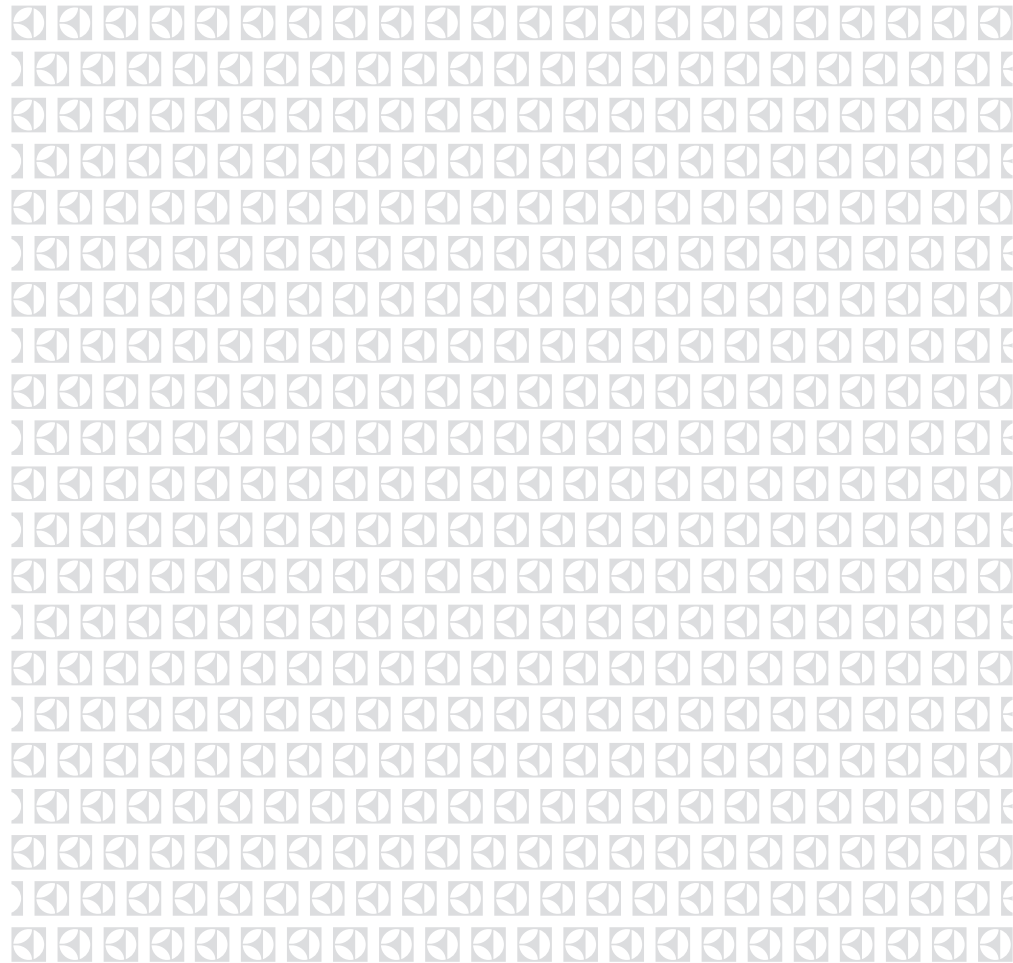


EFC928SC

EN Cooker hood

User Manual

2



## WE'RE THINKING OF YOU

Thank you for purchasing an Electrolux appliance. You've chosen a product that brings with it decades of professional experience and innovation. Ingenious and stylish, it has been designed with you in mind. So whenever you use it, you can be safe in the knowledge that you'll get great results every time. Welcome to Electrolux.

## BEFORE USING YOUR APPLIANCE

Before you use the rangehood, we recommend that you read through the whole user manual which provides the description of the rangehood and its functions. To avoid the risks that are always present when you use an electrical appliance, it is important that the rangehood is installed correctly and that you read the safety instructions carefully to avoid misuse and hazards.

For future reference, please store this booklet in a safe place.

## CONDITIONS OF USE

This appliance is intended to be used in household and similar applications such as

- Staff kitchen areas in shops, offices and other working environments
- Farm houses
- By clients in hotels, motels and other residential type environments
- Bed and breakfast type environments

## BEFORE YOU CALL

Please ensure you read the instruction manual fully before you call for service, or a full service fee could be applicable.

## RECORD MODEL AND SERIAL NUMBER HERE:

Model: \_\_\_\_\_

Serial NO: \_\_\_\_\_

## CONTENTS

- 3 **Safety information**
- 4 **Dimensions**
- 5 **Product description**
- 6 **Rangehood installation**
- 9 **Using the rangehood**
- 12 **Maintenance and cleaning**
- 13 **Trouble shooting**
- 15 **Consumer Care Center**

## LEGEND



### WARNING!

This symbol indicates information concerning your personal safety



### CAUTIONS!

This symbol indicates information on how to avoid damaging the rangehood.



### IMPORTANT!

This symbol indicates tips and information about use of the rangehood.



### ENVIRONMENT!

This symbol indicates tips and information about economical and ecological use of the rangehood.

## ROHS Compliant.

If at any time in future you need to dispose of this product please do Not dispose of this product with household waste, please send this product to collecting points where available

**This product is RoHS compliant.**

## SAFETY INFORMATION

This manual explains the proper use of your new Electrolux canopy rangehood. Please read this manual carefully before using the product. This manual should be kept in a safe place for handy reference.

This rangehood is a domestic appliance which has been manufactured and tested to comply with International Standard IEC 60335.2.31.

Read the following carefully to avoid damage or injury.

⊘ **This symbol indicates never to do this**

⊙ **This symbol indicates always do this**



### WARNING!

Follow these instructions carefully to avoid an electric shock or fire.

- ⊘ Young children should be supervised to ensure they do not play with the rangehood.
- ⊘ This appliance is not intended for use by persons (including children) with reduced physical, sensory or mental capabilities, or lack of experience and knowledge, unless they have been given supervision or instruction concerning the use of the appliance by a person responsible for their safety.
- ⊙ Ensure the rangehood is switched off before carrying out maintenance, to avoid any possibility of electric shock.
- ⊘ Never carry out flambe cooking under the rangehood.
- ⊘ This rangehood is not recommended for barbecues.
- ⊘ This rangehood cannot be installed for external use.
- ⊙ Grease filters must be removed every four weeks (maximum) for cleaning to reduce the risk of fire.
- ⊘ The exhaust from the rangehood must not be discharged into any heating flue, which may carry combustion products from other sources.(Fig.1)
- ⊘ The exhaust air must not be discharged into a wall cavity, unless the cavity is designed for the purpose.
- ⊙ There must be adequate ventilation of the room when the rangehood is used at the same time as appliances burning gas or other fuels.
- ⊙ Always cover lit gas burners with pots or pans when rangehood is in use.
- ⊙ Always switch off gas burners before you remove pots or pans.
- ⊘ Do not leave lit gas burners exposed due to the risk of fire.(Fig.2)

### Electrical connection

Check that the mains voltage matches with the voltage on the data plate inside the rangehood. Check that the installation complies with standards of local building, gas and electrical authorities. Before connecting to the mains supply ensure that the mains voltage corresponds to the voltage on the rating plate inside the rangehood. If the supply cord is damaged, it must be replaced by the manufacturer or its service agent or similarly qualified person in order to avoid a hazard.

### Safety warnings For the installer

When installing the rangehood, make sure you adhere to the minimum and maximum distances from the rangehood base to the hob surface (as per table on page 6).

**Exhaust flue installation:** The following rules must be strictly followed to obtain optimal air extraction.

- Keep exhaust flue short and straight
- Do not reduce the size or restrict exhaust flue.
- Keep bends in the exhaust flue to a minimum.
- When using flexible flue always install duct with helix pulled taut to minimise pressure loss.
- Failure to observe these basic instructions will drastically reduce the performance and increase the noise levels of the range hood.

Exhaust air must not be discharged into a wall cavity, unless the cavity is designed for the purpose. The exhaust from the cooker hood must not be discharged into any heating flue, which may carry combustion products from other sources.

*NOTE: Some installations may require the telescopic exhaust cover to be cut to length. Cut with sharp tin snips or a fine-tooth hack saw blade, taking care not to distort or dent the exhaust cover.*

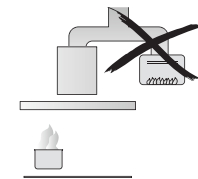


Fig. 1

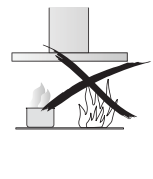
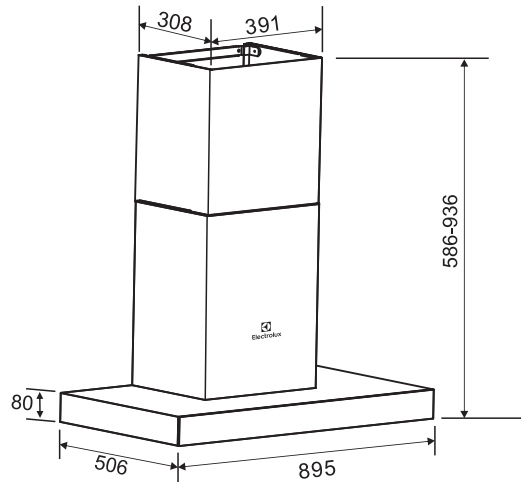


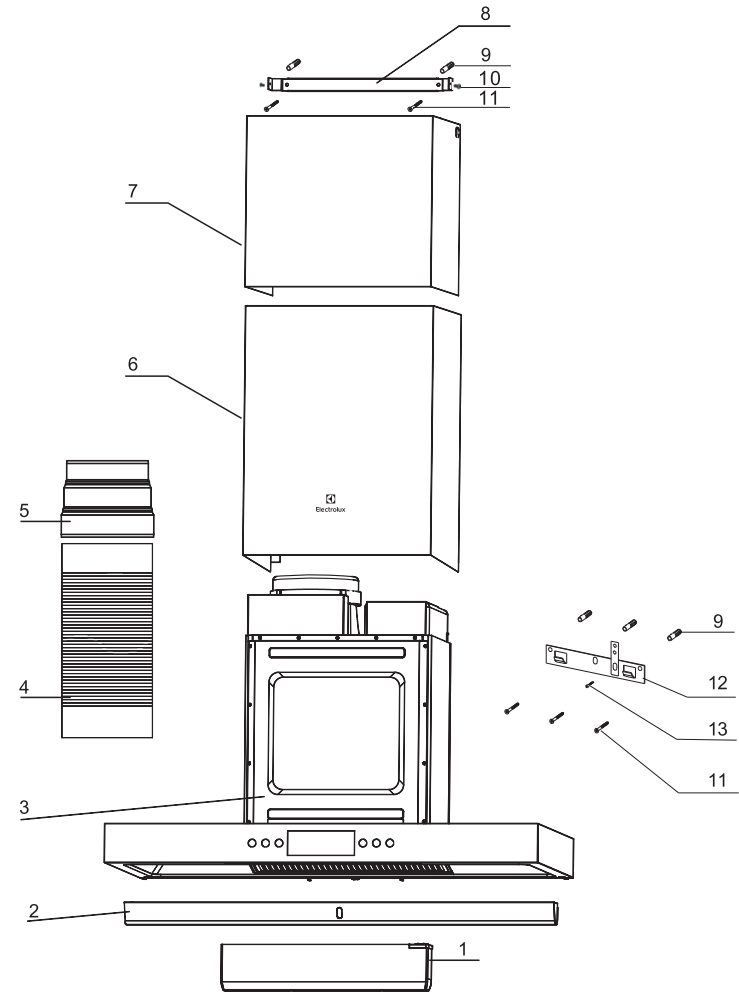
Fig. 2

DIMENSIONS



Ref	Q'ty	Product Components
1	1pc	Water container
2	1pc	Oil cup
3	1pc	Hood body, complete with: controls, light, blower, filters, air outlet adapter, damper, heater, water pump
4	1pc	Flexible flue
5	1pc	Transition(170mm→150mm)
6	1pc	Bottom telescopic flue cover
7	1pc	Top telescopic flue cover
8	1pc	Top telescopic flue cover mounting bracket
9	5pcs	Drywall anchors
10	2pcs	Top telescopic flue cover mounting bracket screws ( ST 4 X10 )
11	5pc	Mounting screws(ST 5X50)
12	1pc	Hood mounting bracket
13	1pc	Hood mounting bracket fixing screws(ST 4X14)

PRODUCT DESCRIPTION



## RANGEHOOD INSTALLATION



**WARNING!**

Refer to "Safety information" chapter

### **i** BEFORE INSTALLATION

Before the installation of the appliance, record the information below from the rating plate. The rating plate is on the bottom of the appliance casing.

Model \_\_\_\_\_

PNC \_\_\_\_\_

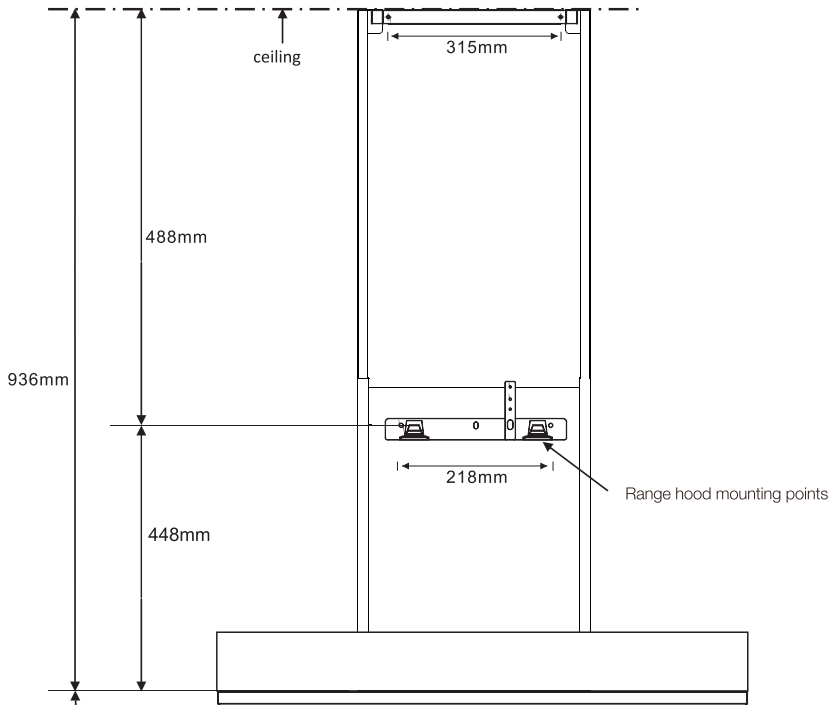
Serial number \_\_\_\_\_

- Using a spirit level mark a vertical centre line on the wall where the cooker hood is to be positioned, and a horizontal line at the cooker hood base position (refer diagram below).

*NOTE: The height of the underside of the hood body must be a minimum of 650mm\* to a maximum height of 800mm*

\* If the instructions of the hob specify a greater distance than the minimum above, then that shall be the minimum height for installation.

- Mark the location for flue cover wall mounting brackets and cooker hood mounting points above the hood base as the reference point (Fig. 6).



Cooktop type	DIM.A	
	minimum*	maximum
Gas	700mm	800mm
Electric	650mm	800mm



**WARNING!**

Failure to install the screws or fixing device in accordance with these instructions may result in electrical hazards

Top of glass worktop

Fig.6

## RANGEHOOD INSTALLATION

- Install the flue cover mounting and wall brackets with screws to the wall as marked (Fig.7).

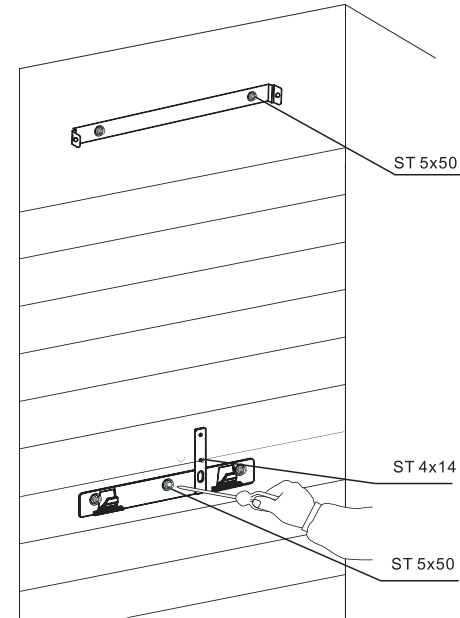


Fig.7

- Remove protective plastic film, if present, from the hood body and hang on the wall bracket.

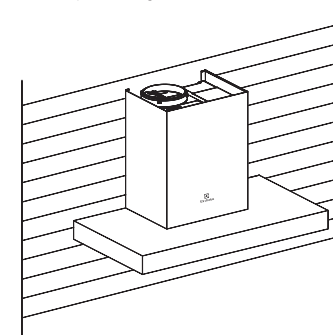


Fig. 8

- Ducted mode air exhaust system (Fig.9).



**WARNING!**

To reduce the risk of fire, use metal ductwork only

Attached an adequate length of  $\phi 170\text{mm}$  round duct into the recessed area of the air outlet adapter.

The duct have to be secured using two screws from two sides of the air outlet adapter. Make sure the duct is fixed well on.

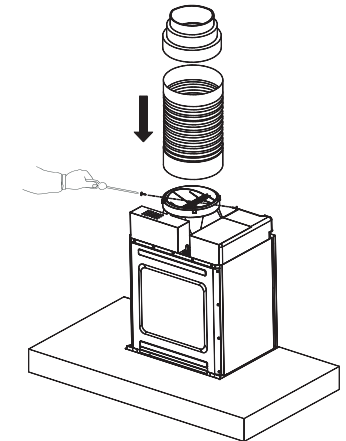


Fig.9

## RANGEHOOD INSTALLATION

### 6 Electrical connection

- Electrical wiring must be done by a qualified person(s) in accordance with all applicable codes and standards. Turn off electrical power at service entrance before wiring.
- If the power cord is damaged, it must be replaced by manufacturer, its agent or similarly qualified persons in order to avoid hazard.
- Do not use the plug and an extension cord other than the ones initially supplied with the hoods.
- The earthing of this hood is compulsory. Do not remove the ground prong of the plug.

#### Electrical specification

Voltage (V)	220-240V
Frequency (Hz)	50Hz
Rated Motor Power (W)	300W
Light Power(W)	2W
Heater Power(W)	1200W
Pump Power(W)	12W
Total Rated Input Power (W)	1240W

### 7. Installation of telescopic flue covers

Slide up the top flue cover. Fix top flue cover to the mounting bracket with screws supplied.(Fig.10) Ensure that the upper section is extended.

*NOTE: Carefully remove the plastic protective coating, if present, from the flue covers. Pay particular attention when removing protective plastic coating from decals.*

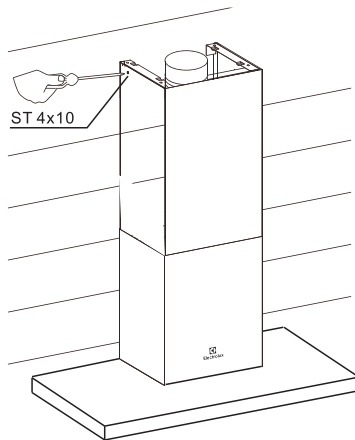
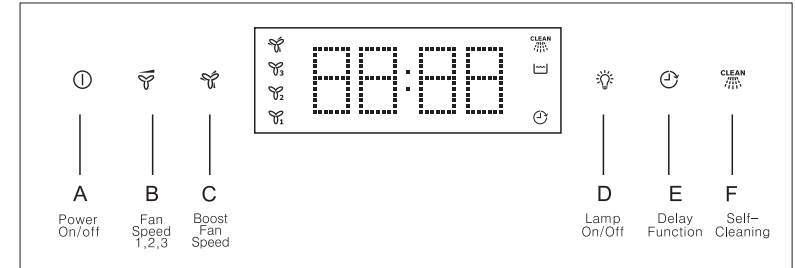


Fig. 10

## USING THE RANGE HOOD

### Controls



Button	Function	LED
A	Turns on/off the range hood. Turns off Self-Cleaning function during Self-Cleaning process.	On/Off
B	Turns the motor on at speed low (1), medium (2) and high (3).	On/Off
C	Turns the motor on at maximum speed. This speed is timed to run for 1 minute. At the end of this time, the system will automatically return to the speed set before. Suitable to deal with maximum levels of cooking fumes.	On/Off
D	Turns the lighting system on and off	On/Off
E	Delay Function Activates/Deactivates automatic switch-off with a 5 minutes delay. Suitable to complete elimination of residual odours. Can be activated with any fan speed except when Boost Fan Speed is in use.	Flash when activated/Off
F	Self-Cleaning Function Activates Self-Cleaning with short press. Deactivates Self-Cleaning with long press for 3 seconds.	Flash when activated Off


- Note: 1. In order to activate the function, press on the symbols.  
 2. The closing lid sound of "pub" is normal after power off hood, it means the lid re-setting completely to prevent smoke flow back.  
 3. It is normal that a little water drops on the glass worktop while the cleaning function is running.

### ! CAUTIONS!

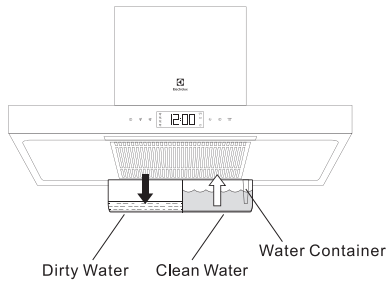
Always ensure the oil cup is installed properly before operating the range hood.

### Self-Cleaning Function


#### ⚠ CAUTIONS!

1. Do NOT mix any detergent into the water container for self-cleaning. This can cause water pump damage.
2. Do NOT carry out any cooking or have naked flames under the cooker hood when self-clean is activated.
3. Ensure to fill the water container to the minimal level of water mark  in the correct cavity.

**Always install a correctly filled up water container before activating the Self-Clean function to prevent damages to the Self-Clean system.**



Auto Self-Clean will alert every 15 hours of usage in order to maintain the range hood performance.

During power ON state, the self-cleaning icon  will blink on the display every 15 hours of motor usage until Self-Cleaning button is activated.

#### Self-Clean Instruction:

1. Remove oil cup. (Fig. 11)

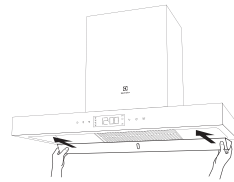


Fig. 11

2. Fill the water container in the cavity as marked. (Fig. 12)

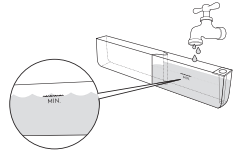
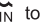


Fig. 12

Ensure to fill the water container to the minimal level as marked  to prevent damages to the Self-Clean system.

- It is not recommended to add detergent due to it might affect material of heating element.

3. Install water container to the range hood. (Fig. 13)

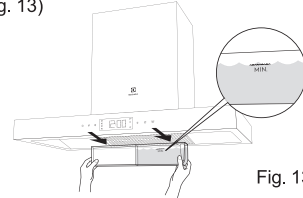



Fig. 13

- Ensure the water container is fully pushed in so that the water tube is properly connected.

4. Activate Self-Clean by pressing the button  once. (Fig. 14)

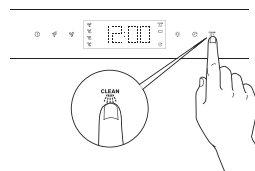




Fig. 14

5. Self-Clean process will take 18 minutes.
  - When finished, the display will show "End".
  - To cancel during the Self-Cleaning process, press  for 3 seconds OR press  once.
6. Pour out dirty water from the water container.
  - For second cleaning, add clean water to water container and repeat steps 3 to 6.
7. Re-install the oil cup after cleaning before using the range hood. (Fig. 15)

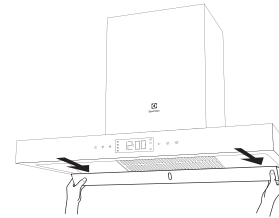









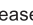


Fig. 15

**Self-Cleaning process will stop when abnormal temperature is detected due to low water in the water container. The Icon  on the display will flash accompanied with an alarm sound.**

- To continue the Self-cleaning process, install a correctly filled up water container before pressing the self-cleaning button  on the face panel.
- To discontinue the Self-Cleaning process, press  for 3 seconds OR press  once.

#### Setting the Clock

1. To set the clock, press and hold  and  buttons together for 3 seconds to enter the clock setting mode during standby state. The Hour digits and colon will blink.
2. To set the Hour, press  button to decrease the value and  to increase the value.
3. Wait 1 second to set the Hour. Then the Minute digits and colon will then blink.
4. To set the Minute, press  to decrease the value and  to increase the value.
5. Wait 1 second to complete the clock setting when the digits and colon stop flashing.

## MAINTENANCE AND CLEANING

### WARNING!

Switch off or unplug the appliance from the main supply before carrying out any maintenance work.

### GREASE FILTER

- The grease filters should be cleaned frequently (every two months of operation ,or more frequently for heavy use).Use a warm detergent solution.
- Grease filters are washable, Remove the grease filter by hand. Wash the filters , taking care not to bend them. Allow them to be dry before refitting. To install the grease filter ,push the filter into position by hand.

### LED lamp

- This range hood requires one LED lamp (DC 12V ,Max.2W)
- Kick off the LED lamps by using the flat screw driver(Fig 16).
- Disconnect the lamp socket .
- Replace with DC12V, 2W Max.LED lamp.

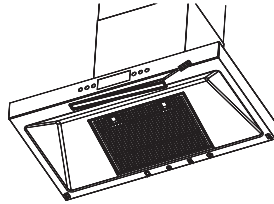


Fig 16

### WARNING!

- 1.Always switch off the electrical supply before carrying out any operation on the appliance.
- 2.Only a qualified and trained service technician can undertake the work of lamp replacement and servicing.

### CAUTIONS!

- THE SURFACE, THE COVER OF THE LED LAMPS MAY BE HOT. TAKE CARE WHEN TAKING THE REPLACEMENT.

## TROUBLE SHOOTING

Problem	Remedy
Bulb does not light	1.Check for blown bulb 2.Check for damaged switch
Motor does not work	1.Check connection of power plug 2.Check whether the vane is blocked 3.Lubricate the motor 4.Repair or replace damaged switch 5.Replace the capacitor 6.Replace the motor
Machine vibrates when switch on	1.Fasten the body 2.Check for damaged vanes 3.Check if the vanes are installed well 4.Fasten the motor
Big noise	1.Regulate bob-weight or replace the vanes 2.Check whether some debris has dropped into the air chamber
Weak suction	1.Lower the hood properly 2.To improve the suction environment, do not open too many windows 3.Replace the motor and the capacitor
Oil leakage	1.Wiping the filter 2.Remain the body level
Unworkable cleaning	1. Replace the cleaning pump 2.Replace the control machine
Low water alarm	1.Fill the water to the Min. level of the water tank 2.Replace water pump
Error No. "E0"	The control loop of heater is abnormal Please cut off the power and contact the Customer Care Center
Error No. "E2"	1.The heater breakdown 2.The pump or the waterway is abnormal Please cut off the power and contact the Customer Care Center
Error No. "E3"	The temperature sensor is abnormal Please cut off the power and contact the Customer Care Center

## Standard warranty conditions

We, Electrolux, undertake that with warranty period (refer to each country location for warranty period – months) this Electrolux appliance or any part thereof is proved to be defective by reason only of faulty workmanship or materials, we will, at our option repair or replace the same FREE OF CHARGE for labour, materials or carriage on condition that:

The appliance has been correctly installed and used only on the electricity supply stated on the rating plate.

The appliance has been used for normal domestic purposes only, and in accordance with the manufacturer instructions.

The appliance has not been serviced, maintained, repaired, taken apart or tampered with by any person not authorized by us.

All service work under this guarantee must be undertaken by an Electrolux Service Center.

Any appliance or defective part replaced shall become the Company property.

This warranty is in addition to your statutory and other legal rights.

This warranty does not include maintenance, like cleaning of hood.

***The manufacturer waives all liability for failure to observe the instructions for the appropriate installation, maintenance and use of the appliance.***

*If you need any technical help or would like more information about our products, please do not hesitate to contact our Customer Care Center, listed below:*

## CUSTOMER CARE CENTER

<p><b>Thailand</b> Call Center Tel : (+66 2) 725 9000 Electrolux Thailand Co.,Ltd. Electrolux Building 14th Floor 1910 New Petchburi Road, Bangkapi, Huay Kwang, Bangkok 10310 Office Tel : (+66 2) 7259100 Office Fax : (+66 2) 7259299 Email : customercarethai@electrolux.com</p>	<p><b>Malaysia</b> Domestic Toll Free : 1300-88-11-22 Electrolux Home Appliances Sdn. Bhd. Unit T2-7, 7th Floor, Tower 2 , Jaya33 Hyperoffice, No. 3, Jalan Semangat, Seksyen 13, 46100 Petaling Jaya, Selangor Office Tel : (+60 3) 7843 5999 Office Fax : (+60 3) 7955 5511 Email : malaysia.customercare@electrolux.com</p>
<p><b>Indonesia</b> Hotline service: 08041119999 PT. Electrolux Indonesia Electrolux Building Jl. Abdul Muis No.34, Petojo Selatan, Gambir Jakarta Pusat 10160 Email: customercare@electrolux.co.id SMS &amp; WA : 0812.8088.8863</p>	<p><b>Philippines</b> Domestic Toll Free : 1-800-10-845-care 2273 Customer Care Hotline : (+63 2) 845 care 2273 Electrolux Phils Inc. 25th Floor, Equitable Bank Tower 8751 Paseo De Roxas, Makati City, 1226 Philippines Office Tel : (+63 2) 845 4510 Office TeleFax : (+63 2) 845 4543 Office Fax : (+63 2) 845 4548 Email : wecare@electrolux.com</p>
<p><b>Vietnam</b> Domestic Toll Free : 1800-58-88-99 Tel : (+84 8) 3910 5465 Electrolux Vietnam Ltd. Floor 9th, A&amp;B Tower 76 Le Lai street - Ben Thanh Ward - District 1 Ho Chi Minh City , Vietnam Office Tel : (+84 8) 3910 5465 Office Fax : (+84 8) 3910 5470 Email : vncare@electrolux.com</p>	<p><b>Singapore</b> CUSTOMER CARE HOTLINE : (+65) 6507 8699 Electrolux S.E.A. Pte Ltd. 11 Lorong 3 Toa Payoh Jackson Square, Block B, #01-13/14/15 Singapore 319579 Office Tel : (+65) 6507 8900 Office Fax : (+65) 6356 5489 Email : customer-care.sin@electrolux.com.sg</p>
<p><b>Hongkong</b> Tel: (+852) 8203 0298 Dah Chong Hong, Ltd. - Service Centre 8/F., Yee Lim Godown Block C 2-28 Kwai Lok Street, Kwai Chung, N.T. Hong Kong</p>	



**[www.electrolux.com](http://www.electrolux.com)**

**The Thoughtful Design Innovator.**

Do you remember the last time you opened a gift that made you say, “Oh! How did you know? That’s exactly what I wanted!” That’s the kind of feeling that we at Electrolux seek to evoke in everyone who chooses or uses one of our products. We devote time, knowledge, and a great deal of thought to anticipating and creating the kind of appliances that our customers really need and want.

This kind of thoughtful care means innovating with insight. Not design for design’s sake, but design for the user’s sake. For us, thoughtful design means making appliances easier to use and tasks more enjoyable to perform, freeing our customers to experience the ultimate 21st century luxury: ease of mind. Our aim is to make this ease of mind more available to more people in more parts of their everyday lives, all over the world.

The “Thinking of you” promise from Electrolux goes beyond meeting the needs of today’s consumers. It also means we’re committed to making appliances safe for the environment—now and for future generations.

Electrolux. Thinking of you.

Share more of our thinking at  
**[www.electrolux.com](http://www.electrolux.com)**