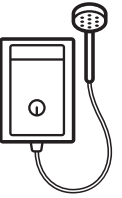


electrolux.com/shop



EWE351GX-DWX



EN ELECTRIC WATER HEATER

USER MANUAL



Electrolux

CONTENTS

1. PARTS IDENTIFICATION.....	3
2. SAFETY INFORMATION.....	4
3. HEATER UNIT INSTALLATION.....	5
4. PLUMBING PROCEDURE.....	6
5. ELECTRICAL INSTALLATION.....	7
6. CABLE SIZE TABLE.....	8
7. TEST RUN.....	8
8. HANDSHOWER SPRAY.....	9
9. MAINTENANCE.....	9
10. WIRING DIAGRAM.....	10
11. ELECTRICAL SPECIFICATION.....	11

WE'RE THINKING OF YOU

Thank you for purchasing an Electrolux appliance. You've chosen a product that brings with it decades of professional experience and innovation. In genius and stylish, it has been designed with you in mind. So whenever you use it, you can be safe in knowledge that you'll get great results every time. Welcome to Electrolux.

Visit our website to:



Get usage advice, brochures, trouble shooter, service information:
www.electrolux.com



Register your product for better service:
www.registerelectrolux.com



Buy Accessories, Consumables and Original spare parts for your appliance:
www.electrolux.com/shop

CUSTOMER CARE AND SERVICE

We recommend the use of original spare parts.

When contacting Service, ensure that you have the following data available.

The information can be found on the rating plate. Model, PNC, Serial Number.



Warning/ Caution-Safety information.



General information and tips.



Environmental information.

Subject to change without notice.

1. PARTS IDENTIFICATION

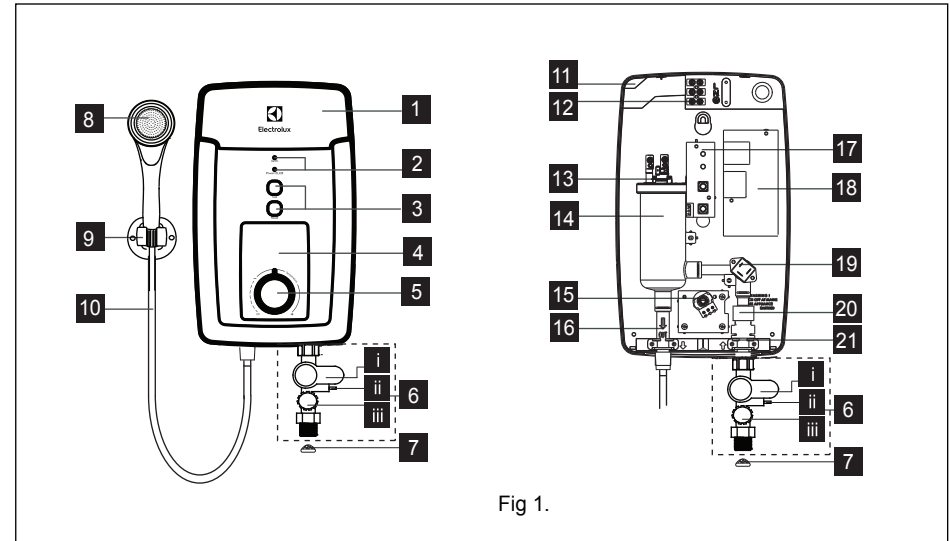


Fig 1.

- | | |
|-----------------------------|--------------------------------|
| 1. Front Cover | 10. PVC Hose |
| 2. LED Indicators | 11. Heater Base |
| 3. Test / Reset Button | 12. Terminal Block |
| 4. Face Panel | 13. Thermostat (Double-Action) |
| 5. Temperature Control Knob | 14. Heater Tank |
| 6. 3 in 1 Stop Valve | 15. Main PCB Board |
| i) Stop Valve | 16. Water Outlet Connection |
| ii) Flow Regulator Valve | 17. PCB Board (Test & Reset) |
| iii) Built-in-Filter | 18. ELCB Board |
| 7. Mesh Filter | 19. TRIAC |
| 8. Handshower | 20. Reed Switch Assy |
| 9. Shower Holder | 21. Water Inlet Connection |

2. SAFETY INFORMATION

WARNING !

2.1 Products manufactured by Electrolux are safe provided they are installed, used and maintained in good working order in accordance with our instructions and recommendations. Always refer to this manual if you have any doubt.

2.2 The appliance must be earthed. Improper grounding could cause electrical shock.

2.3 If any of the following conditions occur as shown below, immediately switch off the mains and contact the Electrolux Call Center. Never attempt to repair the unit yourself:

- If the Heater begins to make an odd noise, smell or smoke.
- If ELCB trips and Heater Indicator does not light up.
- Water temperature cannot be controlled.
- If the Heater shows signs of a distinct change in performance.
- If water leaks from inside.

2.4 When the Shower is used by someone such as child, elderly person, sick person and physically handicapped person, the person concerned is kindly requested to pay attention and check the shower temperature by hand from time to time. User is advised to test and adjust the water temperature before using.

2.5 During lightning/thunder, switch off the electric supply to the shower unit in advance to protect the shower unit against possible damage.

2.6 The earth continuity conductor of the electrical installation must be effectively connected to all exposed metal parts of other appliances and services in the room, which in the heater is to be installed to conform to local regulations and ensure proper earthing/grounding for ELCB to be effective.

2.7 **WARNING :** Metallic / chromed hose and conductive control valve shall not be used.

NOTE : When removing the unit from package, a small amount of water may be found inside. This is normal as the unit is tested during manufacturing process.

CAUTION !

2.8 Installation must be carried out by a qualified personnel and in compliance local authority regulations.

2.9 This Heater must be permanently connected to the direct main line supply. A plug and socket is not recommended to be used.

2.10 For the correct size of wire conductor corresponding to different electrical loadings, please refer to Table 1.

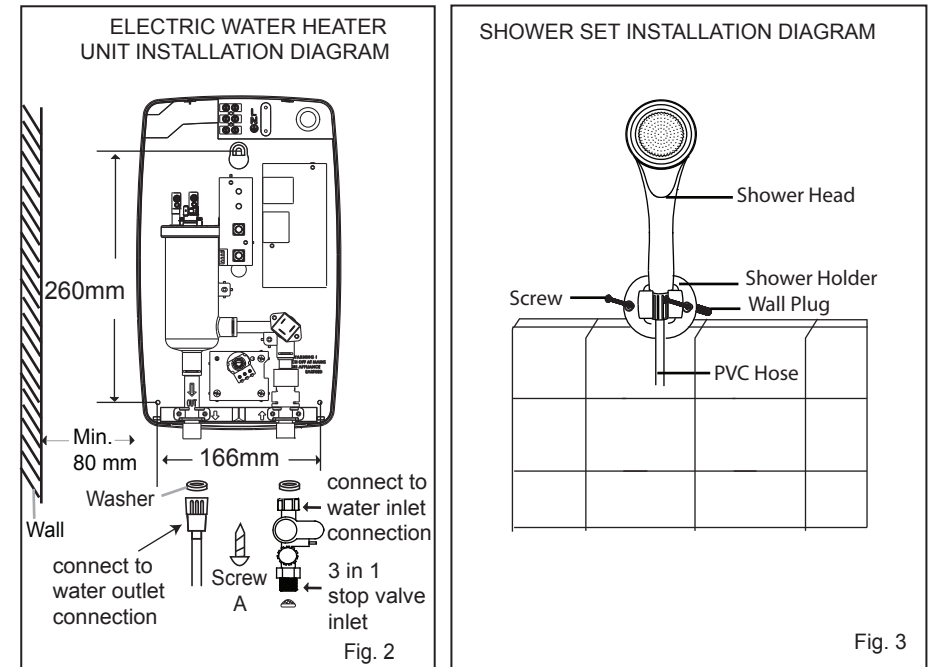
2.11 This Heater operates at a minimum water flow rate of 2.0 litre/min and maximum working pressure of 6 bars. For direct connection from the water tank, the Heater must have an installation minimum 1.0m below the water tank.

2.12 The Heater will not function if there is insufficient water flow (min 2.0 litre/min) to trigger the flow switch.

2.13 The built-in ELCB will automatically cut off the power supply in case there is a current leakage from 15mA.

2.14 The thermostat will automatically cut off the power supply if it has sensed an abnormal rise in water temperature.

3. HEATER UNIT INSTALLATION



3.1 Select a suitable position in the bathroom.

3.2 Remove the screw (A) at the bottom of the unit. (Fig. 2)

3.3 Remove the Front Cover from the bottom and then lift up the front cover.

3.4 Mark 3 Screw points of the Heater Base on the wall. The Heater position should be 1.5m above the bathroom floor.

3.5 Mark 2 screw points of the Shower Holder beside the heater. It is recommended that the top of the portion is in level with the top of Heater.

3.6 Use 6mm diameter drill and make the wall plug holes in depth of 34mm.

3.7 Insert the wall plugs and mount the Heater firmly in position with the screws provided.

4. PLUMBING PROCEDURE

CAUTION!

This Instant Hot Shower is a single point system and the "Water Outlet" can only be fitted to the PVC Hose and Handshower set provided. NO CONTROL VALVE OR FITTING CAN BE FITTED TO THE WATER OUTLET.

4.1 Connect the Stop Valve to the Water Inlet with washer. Use correct tools to tighten and be careful not to over tighten and damage the plastic nut.

4.2 Connect the incoming water piping to the Stop Valve (1/2" BSP).

Make sure to put the Mesh Filter between Stop Valve and incoming water piping.

4.3 If in any case, the Stop Valve is not use or omitted, **make sure to put the Mesh Filter between the heater unit inlet pipe and incoming water pipe.**

4.4 Turn on the water mains to drain out all plumbing dirt before connecting the water supply to the unit, the water supply to the unit must be free from mud and dirt. Always KEEP the water supply to the unit free from mud and dirt at all time during usage , at the same time fill up the heater tank.

IMPORTANT

THE HEATER TANK MUST BE FILLED UP WITH WATER BEFORE TURNING ON THE ELECTRICITY SUPPLY TO PREVENT ANY DRY BURNT DAMAGE TO THE HEATING ELEMENT.

4.5 Connect the PVC Hose and Handshower to the outlet of Heater, be sure to put in the Washer.

4.6 Hook the Handshower to the Shower Holder and adjust to your ideal position.

4.7 Check if any water leakage.

4.8 Do not use white tape during piping installation.

WARNING!

4.9 THE WATER INLET AND OUTLET MUST BE INSTALLED CORRECTLY, OTHERWISE HEATER UNIT WILL NOT FUNCTION.

4.10 DO NOT APPLY PLUMBING CEMENT ON CONNECTION. WHENEVER NECESSARY, USE ONLY THREAD OR SEALING TAPE.

5. ELECTRICAL INSTALLATION

WARNING!

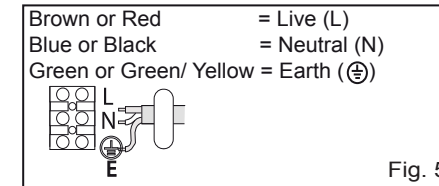
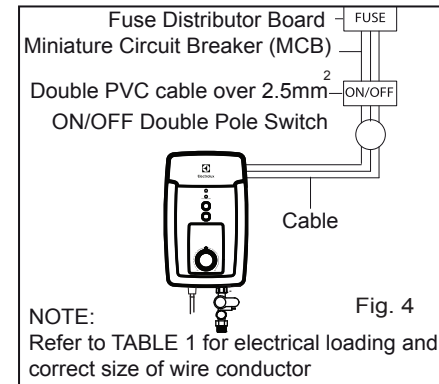
5.1 This appliance must be earthed. Improper grounding could cause electrical shock.

5.2 Remember to SWITCH OFF the mains before carrying out any electrical work.

5.3 Refer to TABLE 1 for the correct cable size.

5.4 Use double insulation cable of over 2.5mm²

5.5 Lead the power cable from MCB to a "ON/OFF" double pole Linked Switch having a contact separation of at least 3mm in all poles outside the bathroom, then lead a cable to the terminal block inside the Heater Unit. (Fig. 4)



PROCEDURE :

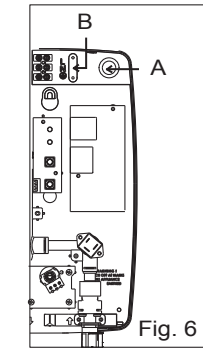
5.6 Insert the wall embedded cable through Side Entry 'A' by cutting a hole at the source cord rubber holder and lead the cable to Cable Bracket 'B'. (Fig. 6)

5.7 Connect the cable as following:
BROWN or RED --LIVE (L)
BLUE or BLACK --NEUTRAL (N)
GREEN or GREEN/YELLOW --EARTH (⊕)

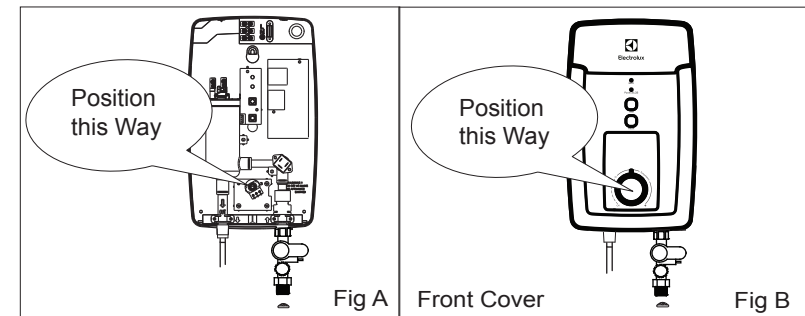
5.8 Clamp the cable to the correct position. CHECK IF THE WIRING CONNECTION IS CORRECT and replace the cover.

5.9 When putting back the Front Cover, please take note of the procedure shown below :

-Ensure the position is correct, turn the Temperature Control Knob Insert to OFF position as shown in Fig.A (At the Heater Base)
-Install the Front Cover,turn the Temperature Control Knob to OFF position to align with the VR shaft as shown in Fig.B (At the Front Cover)
5.10 Fix the Temperature Control Knob and screw 'A' (Fig. 2).



METHOD OF ALIGNMENT WHEN REPLACING FRONT COVER



6. TABLE 1 - CABLE SIZE TABLE

Voltage (AC)	Power (kW)	Current (A)	Conductor Size (csa)		On/ Off Switch (A)	Fuse / MCB (A)
			mm	Conduit Cable		
220V ~ 50/60 Hz	3.5	15.9	2.5	7 / 0.67mm	32	32

7. TEST RUN

7.1 Turn on the water supply and Stop Valve, the water will flow through the Handshower.

7.2 Switch on the electrical supply. The 3 LED Indicator light shall run ON/OFF 3 times in sequences to indicate the set are self checking.

If the Electric Water Heater is not earthed properly, the Earth Led indicator light will OFF, during usage or standby. Earth Led indicator light also OFF if Live & Neutral reverse connection

7.3 Turn the Temperature Control Knob to 'ON', the Red indicator light (HEATER POWER) will turn on, (ELCB/Power Led indication are combine Led indicator light-ELCB is GREEN & Power is RED) hot water will flow out within a few seconds. The more Temperature Control Knob being turned in clockwise direction, the hotter is the shower.

7.4 The shower might not be hot enough even at the 'MAX' position if incoming water supply from the mains is too cold or the pressure of water is too high. In this case, you may adjust the Stop Valve to reduce the water inflow in order to get the desired showering temperature.

7.5 Check the Built-in ELCB as following:
- Press the "TEST" Button, the Built-in ELCB

should trip and cut off the power supply, all LED Indicators should light off.

-Press the "RESET" Button, the 3 LED Indicator light shall run ON/OFF 3 times in sequences to indicate self checking as in 7.2 above and the Heater Unit should resume normal function, the Green LED Indicator should light on. If procedures stated above prevailed, the ELCB is functioning in normal condition.

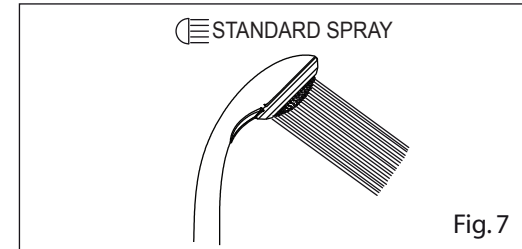
7.6 The height and direction of Shower Holder are adjustable by releasing the shower holder knob clockwise and anticlockwise.

7.7 Move the Handshower to the desired angle. A ratchet mechanism in the Shower Holder will hold the Handshower in selected position.

7.8 It is unnecessary to turn the Temperature Control Knob to "OFF" position when the Heater is not in use.

7.9 Switch OFF the electricity supply after shower.

8. HANDSHOWER SPRAY



Clean the Handshower Head holes by using the soft brush from time to time. (Recommended once a week)

Note: Take care not to damage the holes of the Handshower Head during cleaning.

9. MAINTENANCE

Read the section ' SAFETY INFORMATION ' first.

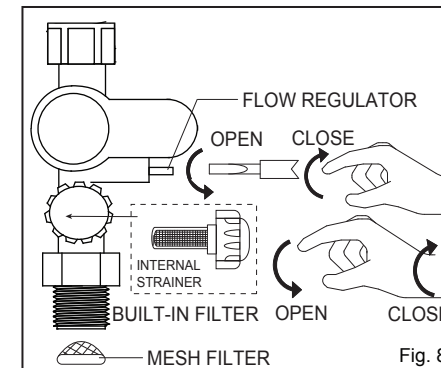
9.1 TEST THE 'ELCB' REGULARLY

(This procedure is highly recommended test at least once a month)

Turn on the electricity and water supply, both Red (HEATER) and Green (ELCB) Indicators will light up if the Temperature Control Knob is in 'ON' position. Press the ELCB Test Button, both HEATER and ELCB Indicators should go off. Press the Reset Button to resume the electricity supply.

9.2 CLEAN THE FILTER REGULARLY

Clean the Mesh Filter regularly to prevent blockage (Fig. 8) . Remove the Built-in Filter by turning its cap anticlockwise. Whenever need flush the internal strainer with water to remove any trapped sediments. Whenever fixing back the Built-In Filter, beware of the alignment of Internal Strainer. Use the protruded guideline within Stop Valve to position the Internal Strainer.

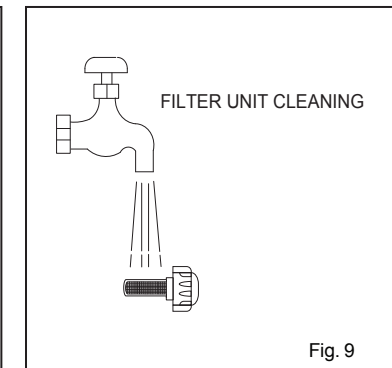


WARNING!

9.3 If the HEATER Indicator does not go off when you press the ELCB Test Button, switch OFF the mains supply and contact Electrolux Call Centre for repair service. Special skill is required for repairing. NEVER try to repair the unit by yourself.

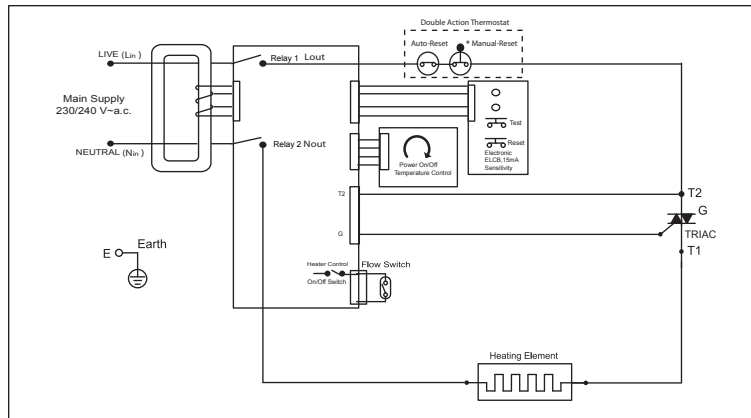
9.4 CLEANING PRECAUTION !

Do not use thinner, alcohol, petrol or any other organic solutions to clean the set. Use only damp cloth with mild detergent.

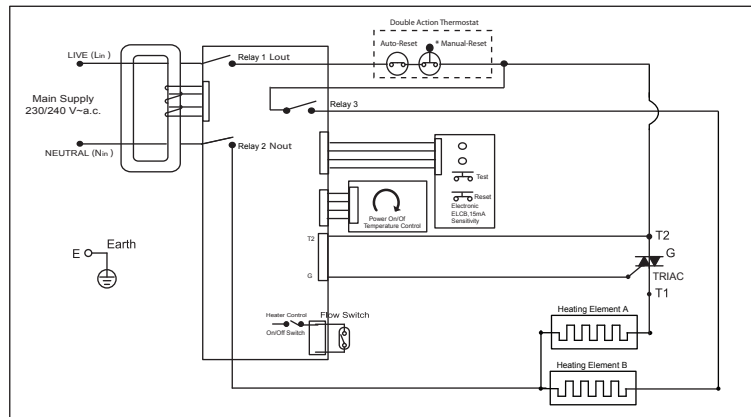


10. WIRING DIAGRAM

WIRING DIAGRAM -WITH ELCB, NO PUMP DPDT MODEL



WIRING DIAGRAM -WITH ELCB, NO PUMP DPDT MODEL (FOR VN MODELS ONLY)



* Manual Reset (90° C Thermostat)

For Models rated 3.6kW and below, thermostat is manually resettable.

For models rated 4.5kW and above, thermostat needed to be replaced once permanently tripped.

11. ELECTRICAL SPECIFICATION

TYPE	ELECTRONIC POWER CONTROL
ELECTRICAL LOADING	3.5kW 220Va.c. 50/60Hz
Min. WATER FLOW RATE	2 Litre / min
Min. INLET WATER PRESSURE	0.1 Bar (10 kPa ; 1.45 psi)
Max. INLET WATER PRESSURE	6.0 Bar (0.6 MPa ; 87.02 psi)
WATER CONNECTION	1/2" BSP SINGLE POINT SYSTEM
DIMENSIONS	210 (W) X 342 (H) X 105 (D) mm
WEIGHT	3.0 kg

Note : The specification, actual product's cosmetic design and accessories parts shown are correct at the time of printing and may be subjected to change without prior notice.

