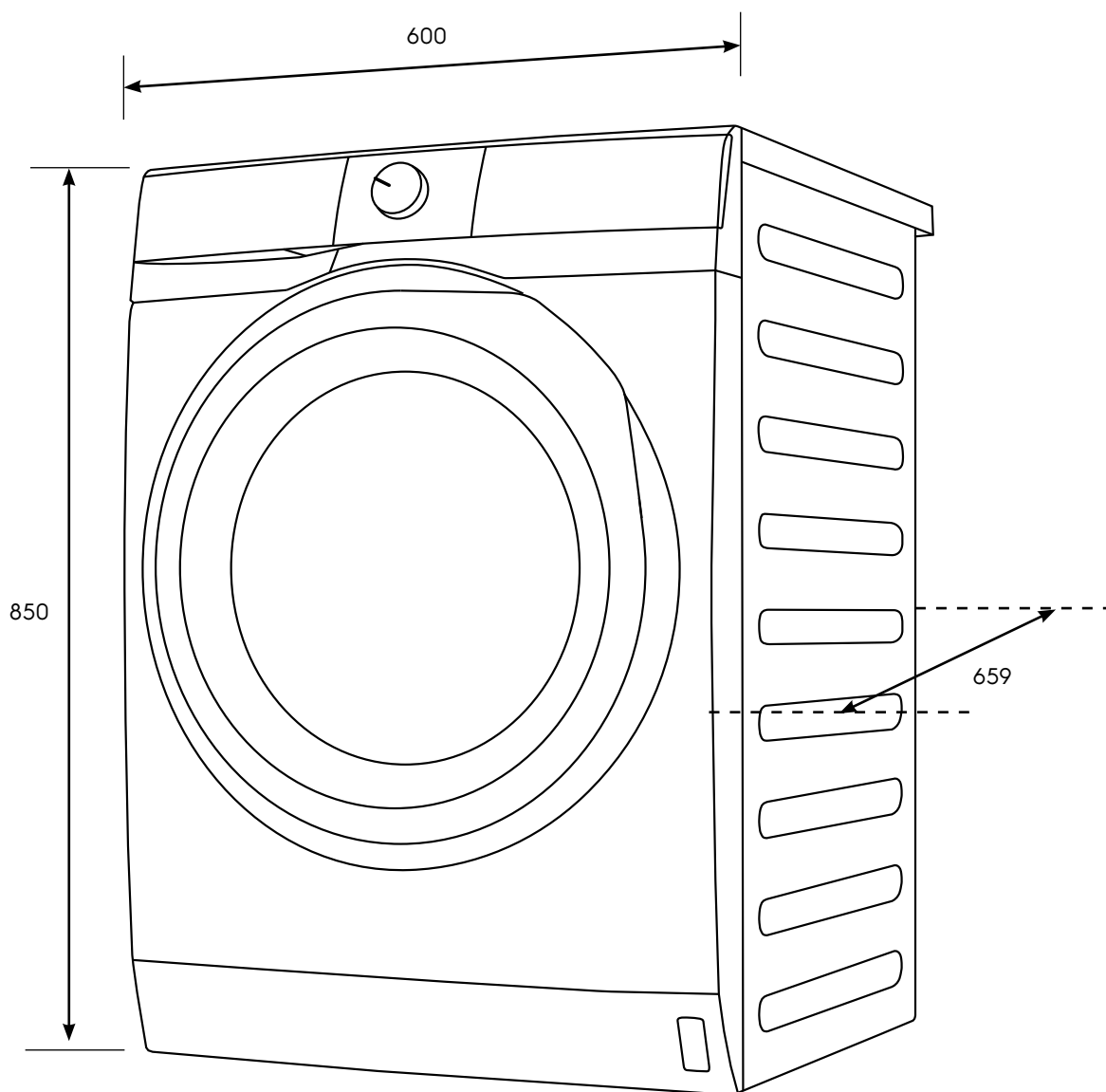


Dimension Guide

Front load washing machine

Model:
EWF1124D3EC

Dimensions			
	width	height	depth
Product (mm)	600	850	659



Please note! Dimensions to be used as a guide only. All customers MUST refer to the user manual supplied with the product for detailed installation instructions.
© 2026 Electrolux S.E.A PTE. LTD. ELX_DIM_EWF1124D3EC_Apr26