

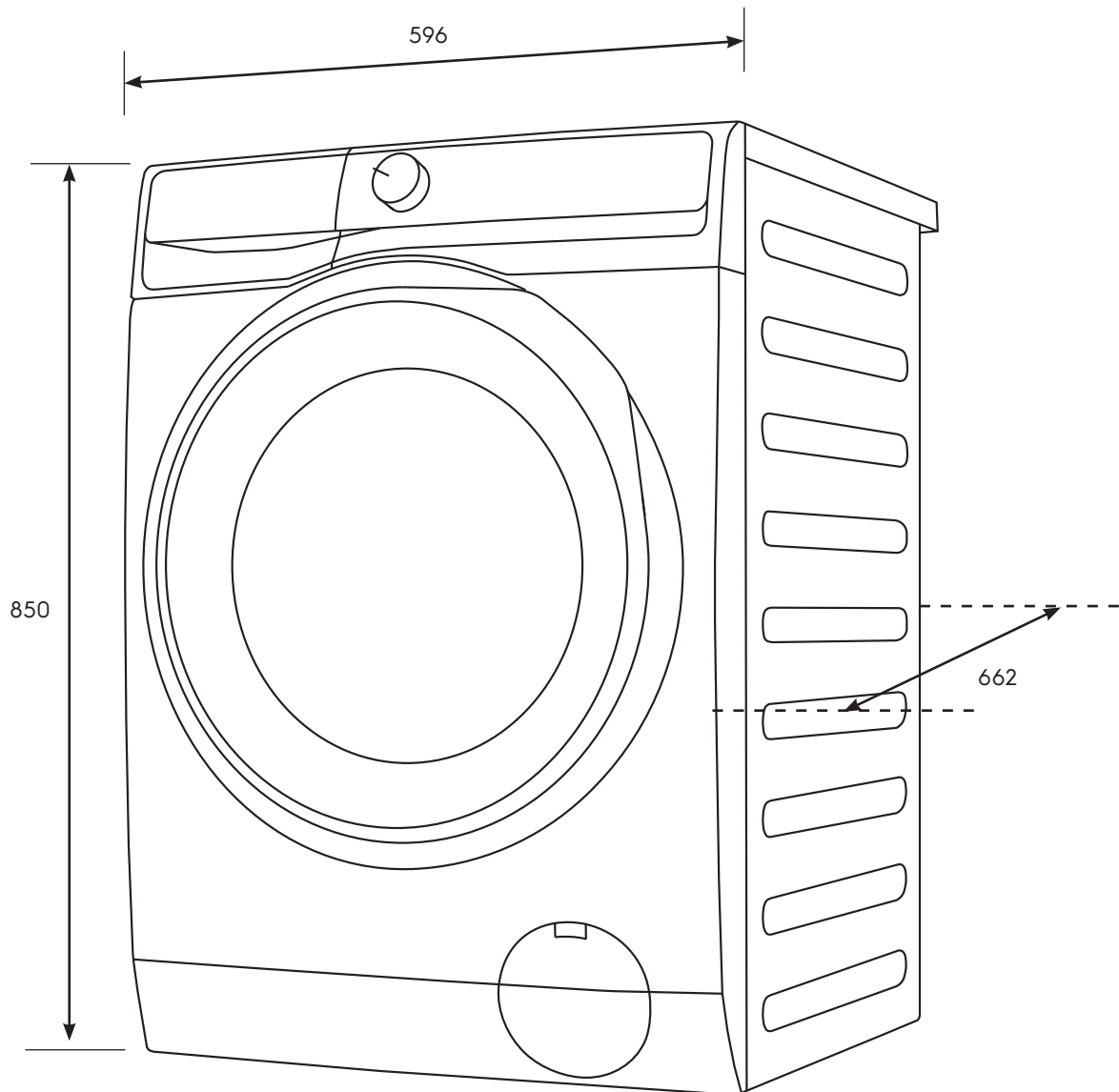
Dimension Guide

Front load washing machine

Model:
EDH803J5WCR

Dimensions

	width	height	depth
Product (mm)	596	850	662



Please note! Dimensions to be used as a guide only. All customers MUST refer to the user manual supplied with the product for detailed installation instructions.

© 2026 Electrolux S.E.A PTE. LTD. ELX_DIM_EDH803J5WCR_TH_Feb26