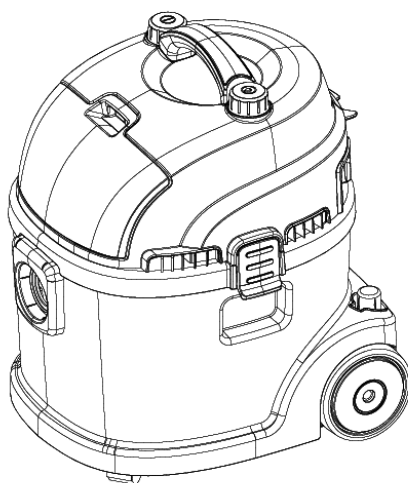


OWNER'S HANDBOOK

FOR WET & DRY VACUUM CLEANERS

FLEXIO II / MODEL : Z 930 / Z 931

Please read these operating instructions before operating your vacuum cleaner.



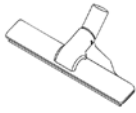
Operating Instructions

Thinking of you

 **Electrolux**

Product and Accessories

CLEANING TOOLS



Wet Nozzle



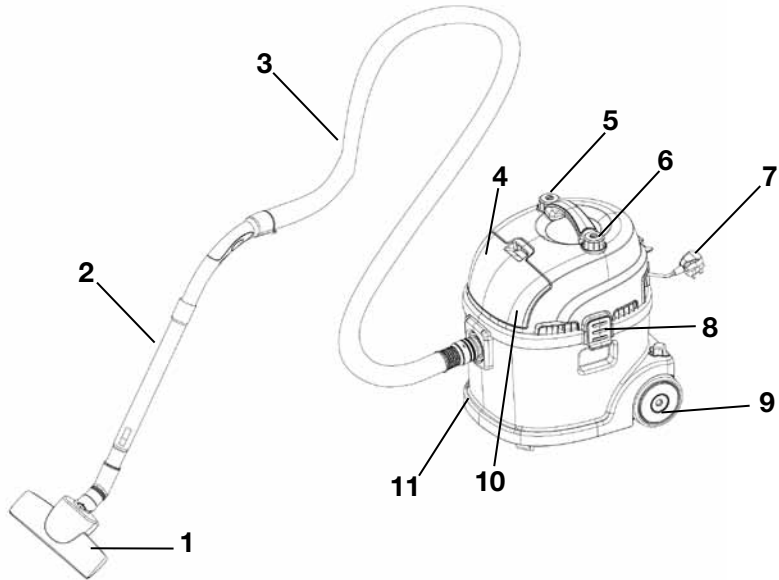
Crevice Nozzle



Dusting Brush



Upholstery Nozzle



1. Floor Nozzle
2. Aluminium Telescopic Tubes*
3. Flexible Hose
4. Tools on Board
5. On / Off Switch
6. Cable Rewind Button*
7. Power Plug
8. Clasp
9. Big Wheel
10. Top Cover
11. Drum

* Applicable to model Z 931 only.

Line drawings are solely for illustration purposes and are subject to variations from actual product.

Dear Customers,

Dear Customer, please read through these operating instructions carefully. Above all, please observe the safety instructions on the first few pages of this booklet. Please keep these operating instructions for future reference and pass them on to any subsequent owner of this appliance.

The safety standards of Electrolux electrical appliances are in keeping with the recognised rules of technology and the laws governing the safety of appliances. Prior to operating this appliance please familiarise yourself with the following safety instructions :

SAFETY INSTRUCTIONS

- Read all the instructions and only use the appliance for its intended purpose.
- The appliance must be switched off before plugging or unplugging it from the wall socket. Do not pull on the electrical cord to remove the plug from the wall socket.
- Always remove the plug from the wall socket before attempting any form of user maintenance or cleaning, as specified in this booklet.
- Do not handle the plug with wet hands.
- Do not operate the appliance with a damaged electrical cord or plug. If the electrical cord is damaged it must be replaced by returning the product to an authorised Electrolux service centre or similar qualified person to avoid a hazard.
- If the appliance has malfunctioned or been damaged in any manner return the appliance to the nearest authorised Electrolux service centre for examination, repair or adjustment.
- Do not carry or drag the appliance by the electrical cord.
- Keep the electrical cord away from heat, oil, sharp edges and rough or hot surfaces and do not run the appliance over the cord.

- Hold onto the plug when rewinding the electrical cord to prevent the plug from whipping or hitting hard against the appliance.
- An extension electrical cord may be used provided that it has a higher rating than the appliance. Please refer to the information provided on the appliance's rating plate or consult your nearest authorized Electrolux service centre.
- To protect against electric shock do not immerse the electrical cord, plug or the appliance in water or other liquids.
- Do not expose the appliance to rain.
- Do not use the appliance outdoors.
- Never leave the appliance running unattended.
- This appliance is not intended for use by person (including children) with reduced physical, sensory or mental capabilities, or lack of experience and knowledge, unless they have been given supervision or instruction concerning use of the appliance by a person responsible for their safety.

Children should be supervised to ensure that they do not play with the appliance.

- Store the appliance away from high heat sources.
- Do not use this appliance to vacuum up the following :
 - Inflammable or combustible substances,
 - Hard pointed objects,
 - Hot ash, lighted cigarette ends or anything that is burning or smoking. Large quantities of fine dust e.g. lime, cement or plaster dust, toner dust from laser printers etc.
- Do not operate this appliance in areas where the substances listed above may be present.
- To prevent the reduction in air flow, ensure that all orifices/vents on

this appliance are kept free from blockages and do not insert any objects into these orifices/vents.

- Do not use without dust bag and filters in place.
- If the motor overheats, it will turn off automatically. If this occurs, press the on off button and wait for a few minutes before switching on again.
- Extra care should be taken when vacuuming staircases.
- It is dangerous to alter the specifications or modify the vacuum cleaner, only use accessories recommended by Electrolux.
- Under no circumstances should the customer attempt to repair the vacuum cleaner.
- The vacuum cleaner should only be repaired and/or serviced by an authorized Electrolux service centre and only genuine Electrolux spare parts should be used. Failure to do so may render the warranty void.

This vacuum cleaner is for household use only.

Important !

This vacuum cleaner must only be connected to a power supply whose voltage and frequency comply with the specifications given on the appliance rating plate.

Quick Guide

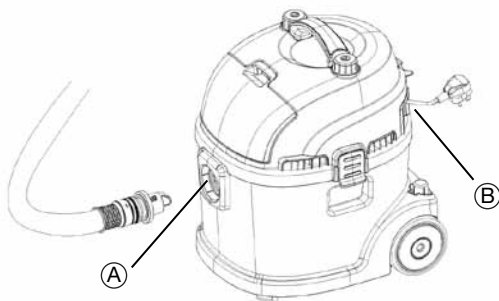
When taking the product out of its packaging, check for damages.

VACUUM CLEANER ASSEMBLING

Always remove the plug from the power supply before fitting or removing accessories. Before putting the appliance into the service, please check if all filters are inserted correctly.

Connecting vacuum cleaner

Fitting or removing the flexible hose to the air inlet (A)

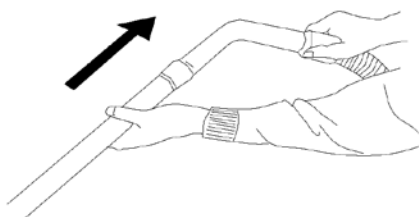


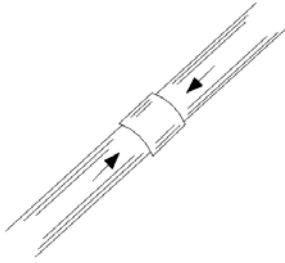
- Fit the flexible hose into the air inlet. Turn the hose grip clockwise until it clicks into position.
- To release, first remove the plug from the power socket. Detach the flexible hose firmly from the air intake duct by turning anti-clockwise.

Fitting or removing the flexible hose to the air outlet (B)

- Remove the filter cover and the filter.
- Fit the flexible hose into the air outlet. Turn the hose grip clockwise until it clicks into position.
- To release, first remove the plug from the power socket. Detach the flexible hose firmly from the air outlet duct by turning anti-clockwise.

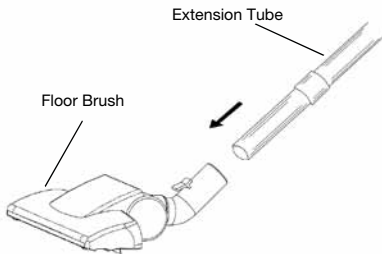
Fitting the extension tubes and accessories





- Fit the extension tube to the handle.
- Fit the brush to the extension tube.

Fitting a chosen nozzle



- Floor brush is intended for cleaning hard floors and carpets.
- Crevice/upholstery nozzle is for cleaning corners and cushions.
- Use the wet nozzle only for cleaning wet surfaces.

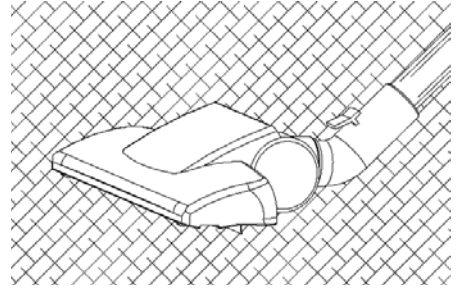
Instructions for Use

CLEANING TOOLS

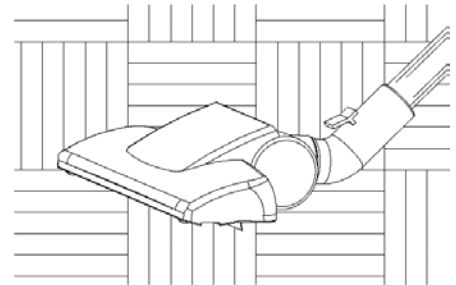
The crevice tool, dusting brush and upholstery nozzle are stored on the accessories holder.

Floor Brush

Ideal for the daily cleaning on carpets and hard floors.



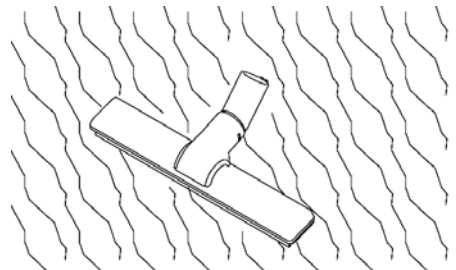
For the carpet



For the hard floor

Wet Nozzle

Ideal for absorbing water or liquid.



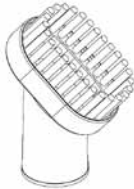
Wet nozzle to absorb water

Crevice Nozzle



- The crevice nozzle can be used for cleaning corners, between cushions or difficult to reach places.

Dusting Brush



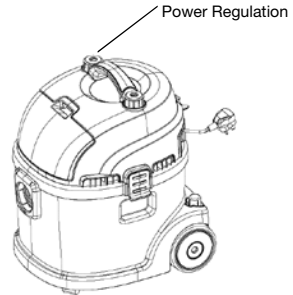
- Dusting brush is used for the furniture, venation, blinds, books, lamp shades and shelves.

Upholstery Nozzle



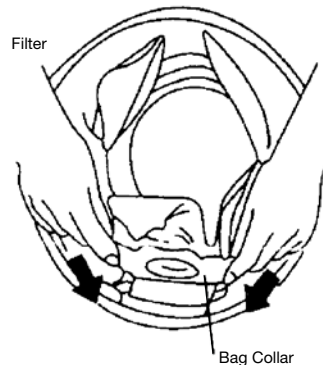
- The small brush is used for cleaning the sofa.

Operating Procedure



- Before using the appliance, pull out a sufficient length of cord and insert the plug into the power supply.
- Press the On/Off button to switch the unit on. To stop it, press the On/Off button again.
- Use the Electronic Power Switch to control the suction of the cleaner.
** (Cord winder applies to model Z 931)*
- To rewind the cord, press the rewind button and guide the cord with hand to ensure that it does not whip causing damage.
** (Cord winder applies to model Z 931)*

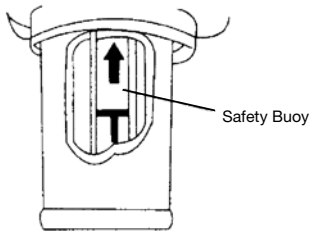
VACUUMING DUST



- Before vacuuming dust, please make sure the body, motor housing, filter cylinder and attachments are dry.

- Please ensure the filter cylinder is fitted.
- Always operate the cleaner with dust bag installed. Undo the clasp and remove the top cover from the body. Secure the dust bag in its position by pushing down the bag collar in its slot.

ABSORBING WATER



- Before you use the vacuum to absorb water or liquid, please make sure the filter cylinder is fitted on the motor housing.
- Remove the dust bag from the vacuum cleaner.
- You may fit in the wet nozzle or other cleaning tools.
- The safety buoy will not work when the body is filled with liquid. Please switch off the unit and remove the top cover. Pour out the liquid.
- If the appliance has fallen over, water may enter into the motor. Ensure that there is no water inside the motor before operating again.

BLOWING DUST

- Remove the filter grille from the blower position.
- Fit the hose connection.
- Once complete, remove the hose connection, fit the filter grille to its position and turn tightly.

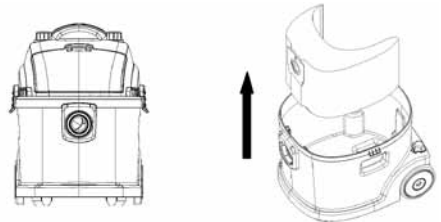
Note: When the vacuum cleaner is working, the suction may get weak. Now you should turn off the unit for a moment. If it still does not work, clean the body after turning off the unit. Continuous use of appliance may increase the motor temperature and may damage the unit.

Maintenance

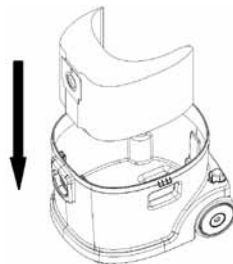
DUST BAG REPLACEMENT

Note:

Before doing any type of cleaning or maintenance to the cleaner, always ensure that the cleaner is unplugged from the wall socket.



- After detaching the flexible tube, remove the top cover .
- Lift up the dust bag collar to remove from its slot.

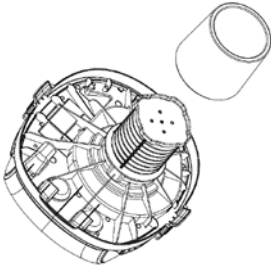


- When the dust bag is full, replace with a new one.
- Replace the top cover and secure both latches on each sides.

CLEANING FILTER

Note:

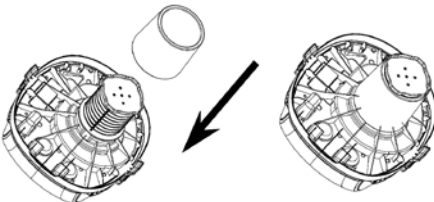
- Filter must be cleaned at least twice a year or when it becomes visibly solid.
- Disconnect from electrical outlet before cleaning filters.
- Do not use a washing machine to rinse filters.
- Do not use hair dryer to dry filters.



- Remove filter



- Rinse filter in lukewarm water and dry the filter completely



- Replace the filter

How To Store Your Vacuum

- Choose a storage location that is both safe and dry.
- The vacuum comes with an onboard tool coupling for storing the floor nozzle, slide the parking clip onto the parking positions on the cleaner.
- Keep the extension tubes, nozzles and hose together to avoid losing them.

TROUBLESHOOTING

In case of malfunction, check for the following probable reasons. Make the necessary corrections which may be performed at home. If the problem persists, consult the Electrolux Authorized Service Centre.

PROBLEM	POSSIBLE CAUSES	CORRECTIONS
The vacuum cleaner does not start.	The plug is not properly connected to the socket.	Check the plug connection or try another socket.
	Thermal protector activated due to motor high temperature.	Press the ON/OFF button and wait 30 minutes for the motor to cool off.
Filter indicator lights and stays on.	Dust bag is full.	Replace disposable dust bag and check filters.
	The filters are clogged.	Clean or replace filters.
Reduction of suction capacity.	Suction hose blocked.	Clean the hose.
	Nozzle blocked.	Clean the nozzle.
	Disposable dust bag is full.	Replace disposable dust bag.
	Filters clogged.	Clean or replace filters.
Over heating.	Damaged or broken hose.	Replace the hose.
	Disposable dust bag is full.	Replace the disposable dust bag.
	Filters are clogged.	Clean /replace filters.

Technical Data

For Z930 & Z931

220 - 240V, 50/60Hz

Max Power (W): 1600W

Notes

Notes

INDONESIA

PT. Electrolux Indonesia
Gedung Sentra Mulia, Suite 501
Jl.HR. Rasuna Said
Kav, x-6 No.8, Jakarta 12940
Customer Care Hotline : (+62 21) 522 7180
Office Tel: (+62 21) 522 7099
Office Fax: (+62 21) 522 7098
Email : customercare@electrolux.co.id

MALAYSIA

Electrolux Home Appliances Sdn. Bhd.
7th Floor, Tower 2 , Jaya33,
No. 3, Jalan Semangat, Seksyen 13,
46100 Petaling Jaya, Selangor
Domestic Toll Free : 1300-88-11-22
Office Tel : (+60 3) 7843 5999
Office Fax : (+60 3) 7955 5511
Email : Malaysia.customercare@electrolux.com

PHILIPPINES

Electrolux Phils Inc.
25th Floor, Equitable Bank Tower 8751
Paseo De Roxas, Makati City,
1226 Philippines
Domestic Toll Free : 1-800-10-845-care 2273
Customer Care Hotline : (+63 2) 845 care 2273
Office Tel : (+63 2) 845 4510
Office TeleFax : (+63 2) 845 4543
Office Fax : (+63 2) 845 4548
Email : wecare@electrolux.com

SINGAPORE

Electrolux S.E.A. Pte Ltd.
11 Lorong 3 Toa Payoh
Jackson Square, Block B, #01-13/14/15
Singapore 319579
Customer Care Hotline : (+65) 6507 8699
Office Tel : (+65) 6507 8900
Office Fax : (+65) 6356 5489
Email : customer-care.sin@electrolux.com.sg

THAILAND

Electrolux Thailand Co.,Ltd.
Electrolux Building
14th Floor 1910 New Petchburi Road,
Bangkapi,Huay Kwang, Bangkok 10320
Call Center Tel : (+66 2) 725 9000
Office Tel : (+66 2) 7259100
Office Fax : (+66 2) 7259299
Email : customercare@electrolux.co.th

VIETNAM

Electrolux Vietnam Ltd.
Saigon Trade Center, Suite 2607
37 Ton Duc Thang Street, District 1
Ho Chi Minh City
Domestic Toll Free : 1800-58-88-99
Office Tel : (+84 8) 3910 5465
Office Fax : (+84 8) 3910 5470
Email : customer.care@electrolux.com.vn